

NV200 Taxi



We get it: downtime is expensive. That's why BraunAbility specializes in designing accessible vehicles that are up to the challenge of tough, real-world use in your fleet.

BraunAbility has a proven track record of producing economical and dependable commercial vehicles designed to keep you up and running day after day, year after year. We strive to maintain an exterior OEM look for consistency with other NV200 taxis in your fleet.

Contact your BraunAbility dealer today to see how the wheelchair accessible NV200 Taxi can help you maintain ADA compliance... and your bottom line.

REAR-ENTRY DESIGN

The bi-fold ramp unfolds to accommodate one wheelchair user.



FOLD-FLAT RAMP

Allows plenty of luggage room in the rear of vehicle when ramp is not in use.



Commercial Vehicles

 **BraunAbility**[®]
Life is a Moving Experience[™]

NV200 Taxi

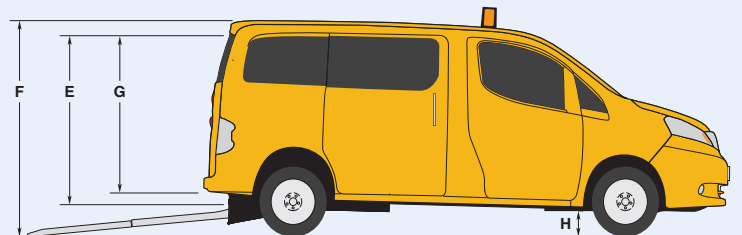
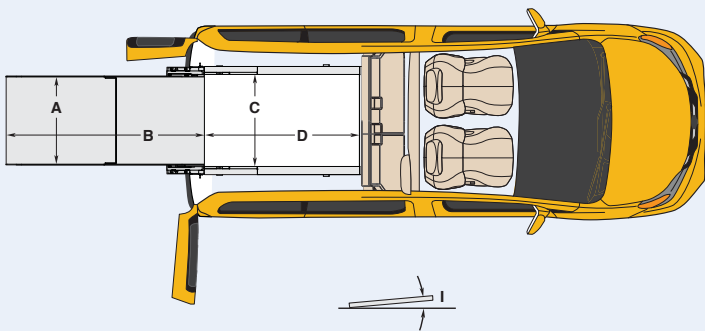
STANDARD FEATURES

- 58-3/4" door opening height
- 31" wide floor
- 30" wide ramp
- Fold-flat ramp
- FMVSS compliant
- ADA ramp lighting
- Integrated restraint system
- Side-impact airbags



2015-2016

A	Usable ramp width	30
B	Ramp length	60
C	Lowered floor width	31
D	Lowered floor length	51
E	Entrance height	58-3/4
F	Overall height	75-1/2
G	Wheelchair location interior height	57
H	Ground clearance at skid plate	7
I	Ramp slope	10.2°



All illustrations, descriptions and specifications in this brochure are based on the latest product information at the time of publication. BraunAbility reserves the right to make changes at any time without notice. © 2014 The Braun Corporation 500762



AUTHORIZED DEALER

631 West 11th Street • Winamac, IN 46996
(574) 946-6153 • 1-800-THE-LIFT
www.braunability.com/commercial