

# Link® Ramps

Solving Your Loading Needs One Ramp at a Time

• Quality Aluminum • Lightweight • Built to Fit Your Application

## LB20

- Bi-Fold Rear Mount Ramp
- Stores Vertically Inside the Vehicle



## LB10

- Mounts on Vans with Side Step
- Stores in "dead" Space Above the Step



## LT30

- Tri-Fold Rear Mounted Ramp
- Stores Vertically Inside the Vehicle



## LB20

### Spring Assist

- LB20 with Spring Assist to Reduce Lifting Force



## LS50 Straight

- General Use Portable Ramp
- 750 - 1,000 lb Weight Capacity
- Folding Option Available

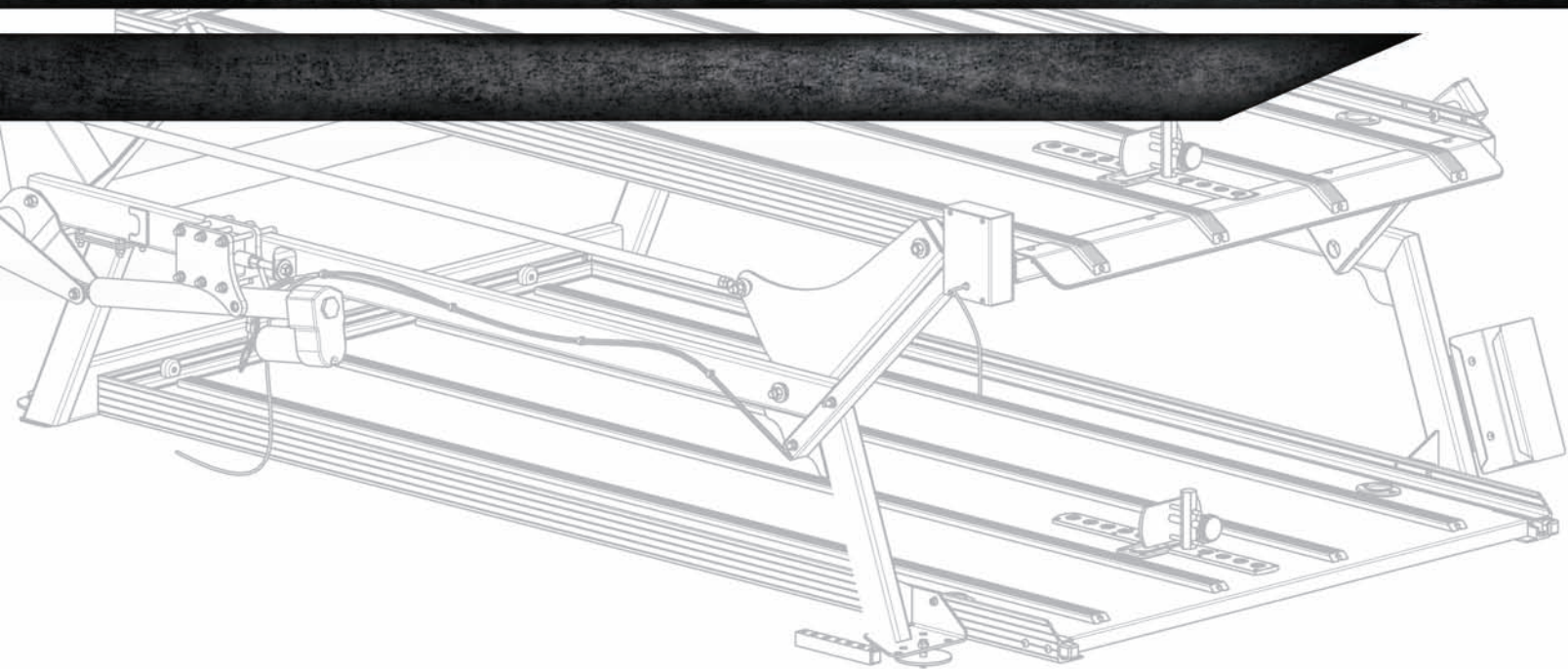


## LWS40 Straight

- General Use Portable Ramp
- 350 - 750 lb Weight Capacity
- Folding Option Available



# Link<sup>®</sup> Double Deck System



## DD2000



### Product Features

600 lb. Capacity

Powered Upper Deck Raises in Seconds

Doubles the Size of Full Sized Cargo Vans

Carries 4 Stretchers, 4 Cremation Containers, or 2 Caskets

Stainless Steel Deck Surface

Silver Vein Powder Coat Finish